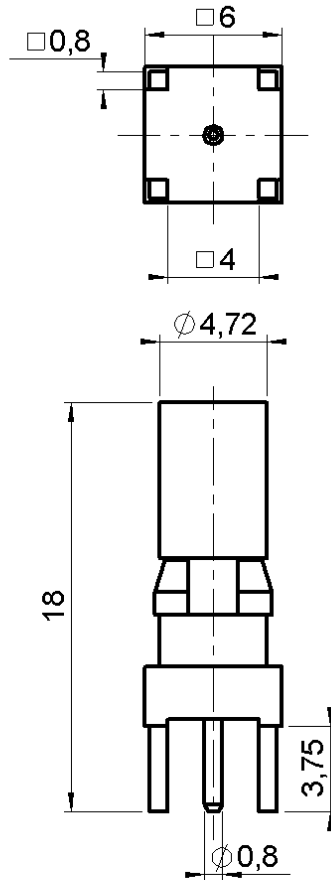


STRAIGHT PLUG RECEPTACLE FOR PCB

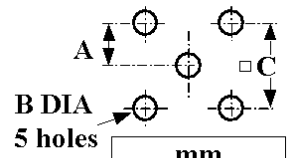
R120.417.500

SOLDER LEGS

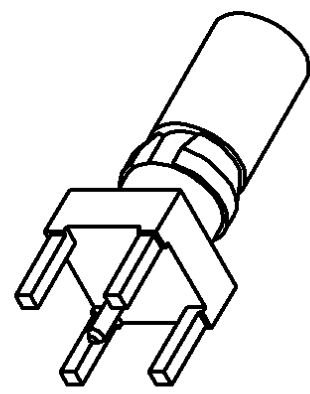
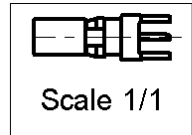
Series : DIN 41626



PANEL CUT OUT



	mm	
	Maxi	mini
A	2.59	2.49
B	1.25	1.15
C	5.13	5.03



All dimensions are in mm.

COMPONENTS	MATERIALS	PLATINGS (µm)
BODY	BRASS	GOLD .
CENTER CONTACT	BRASS	GOLD .
OUTER CONTACT	BERYLLIUM COPPER	GOLD .
INSULATOR	PTFE	
GASKET	-	
OTHERS PARTS	-	
-	-	
-	-	

Issue : 9912 B

In the effort to improve our products, we reserve the right to make changes judged to be necessary.



STRAIGHT PLUG RECEPTACLE FOR PCB

R120.417.500

SOLDER LEGS

Series : **DIN 41626**

PACKAGING

SPECIFICATION

Standard	Unit	Other
100	'W' option	Contact us

ELECTRICAL CHARACTERISTICS

Impedance		50 Ω
Frequency		0-2 GHz
VSWR	NA +	0.000 x F(GHz) Maxi
Insertion loss		NA √F(GHz) dB Maxi
RF leakage	- (NA - F(GHz)) dB Maxi
Voltage rating		350 Veff Maxi
Dielectric withstanding voltage		1000 Veff mini
Insulation resistance		5000 MΩ mini

ENVIRONMENTAL

Operating temperature	-55/+155 °C
Hermetic seal	NA Atm.cm ³ /s
Panel leakage	NA

OTHERS CHARACTERISTICS

Assembly instruction **NA**

Others :
-

MECHANICAL CHARACTERISTICS

Center contact retention		
Axial force – Mating end	10	N mini
Axial force – Opposite end	10	N mini
Torque	NA	N.cm mini
Recommended torque		
Mating	NA	N.cm
Panel nut	NA	N.cm
Mating life	100	Cycles mini
Weight	1.500	g

Issue : 9912 B

In the effort to improve our products, we reserve the right to make changes judged to be necessary.

